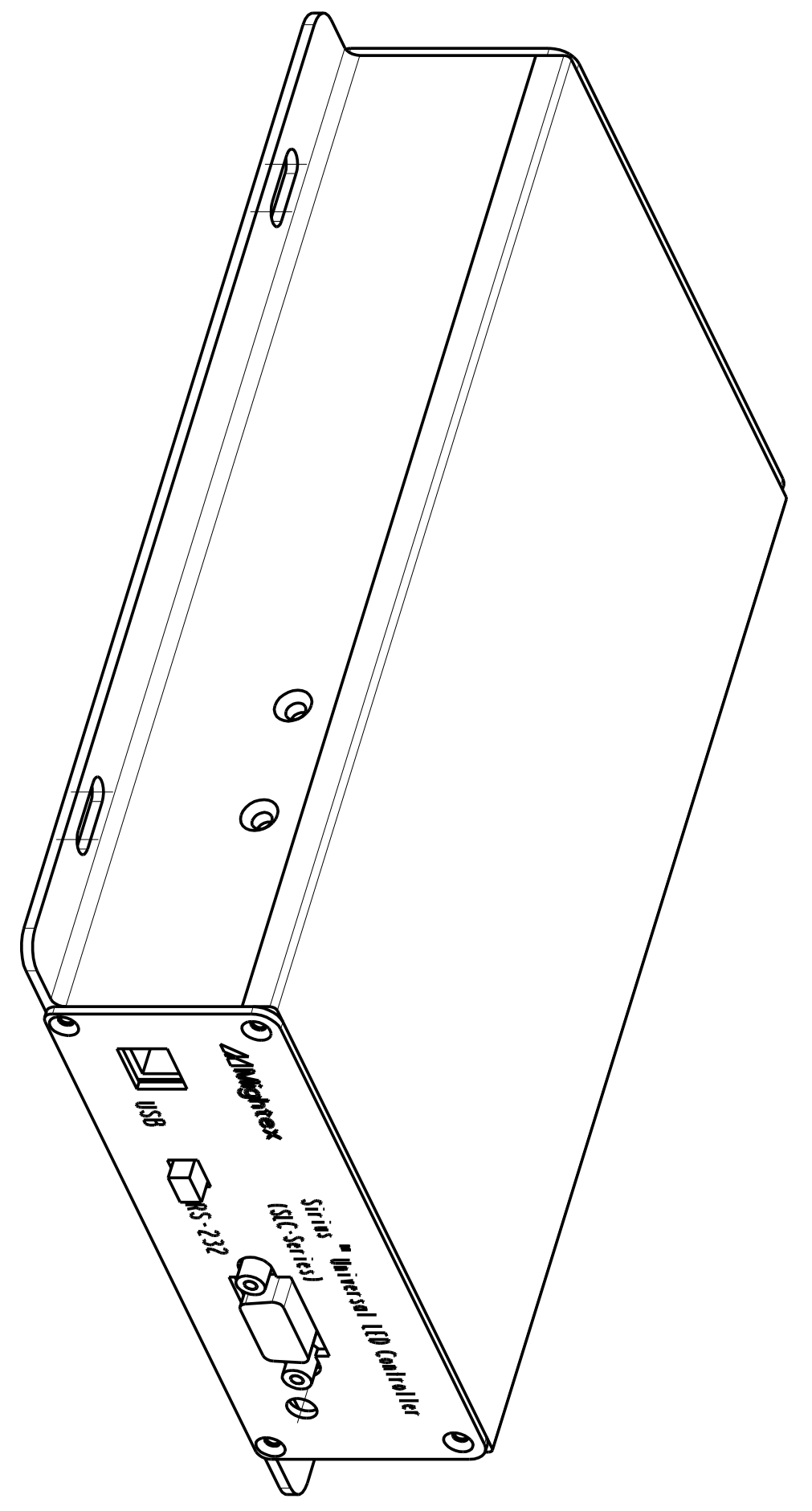
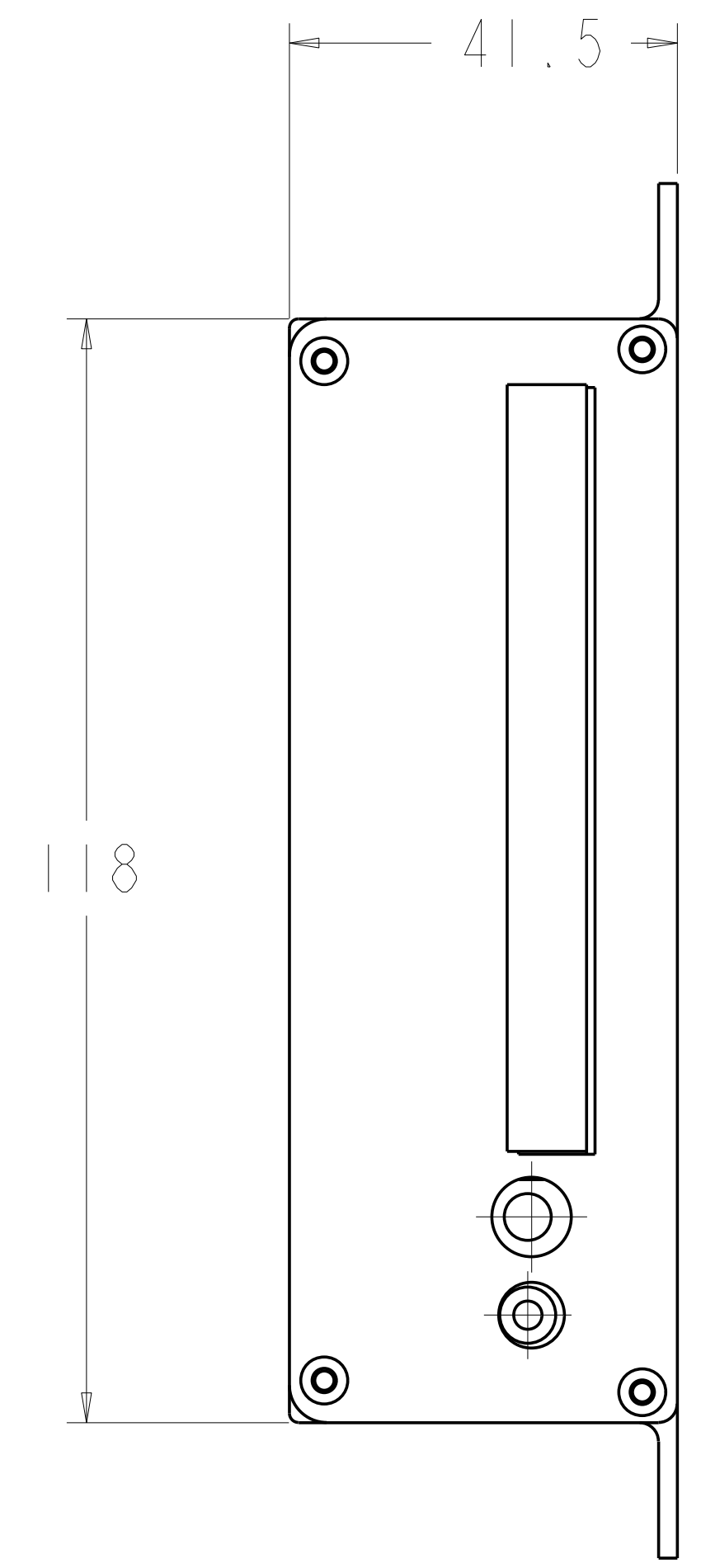
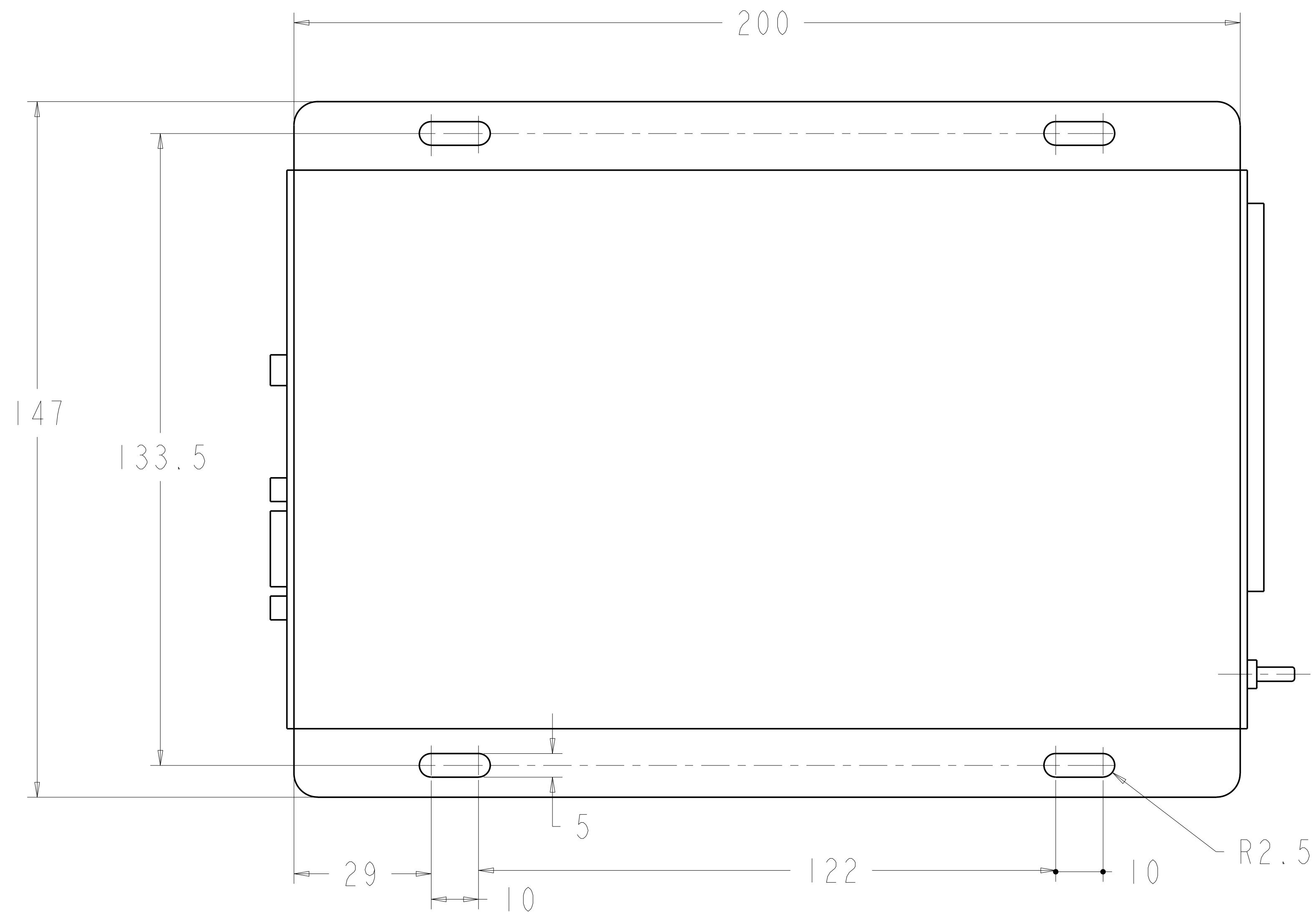


LTR	CO	DATE	CHK



This document and the information and data contained herein are proprietary to and the exclusive property of Mightex Systems. This document and the information and data contained herein may not be used, copied, published or disclosed without the express prior written consent of Mightex Systems.

MATERIAL:	THE INFORMATION AND DATA CONTAINED HEREIN CONFORMS TO ASME Y14.5M-1994	DRAWN: WALT ZHANG DATE: 11-May-07	MIGHTEX SYSTEMS
ALT MATL:	ALL UNTOLERANCED DIMENSIONS ARE BASIC	EDGE/COR BREAK: RADI INSIDE: RADI OUTSIDE:	
CASE DEPTH:	UNLESS OTHERWISE SPECIFIED, ALL DIMENSIONS ARE IN INCHES	UNLESS OTHERWISE SPECIFIED: 63 SURFACE FINISH	SIZE NO. ASM100000
HARDNESS:		THIRD ANGLE PROJ	REL NO. SHEET 1 OF 1
SURFACE TREATMENT:		PRO/ENGINEER®	